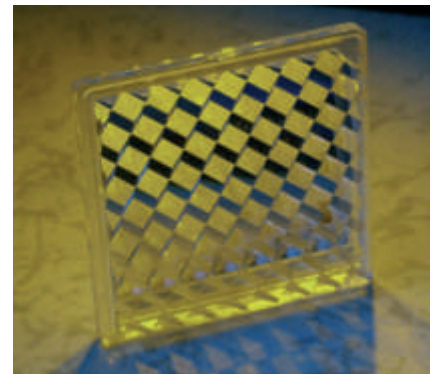
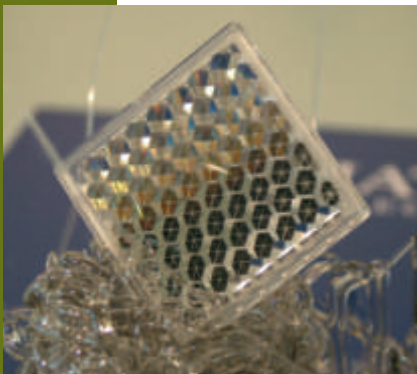




R. Oldini, (Olio su tela), Italia, *Mareggiata*, (Galleria Khatod)

Reflex Reflector & Lenses



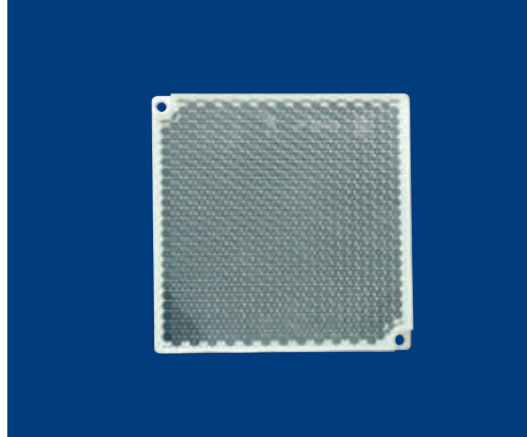
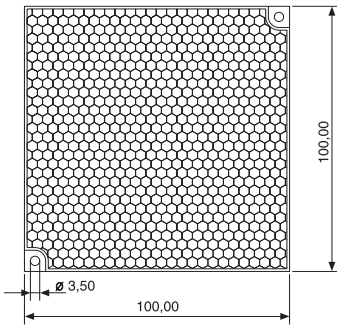
Standard Program K-50



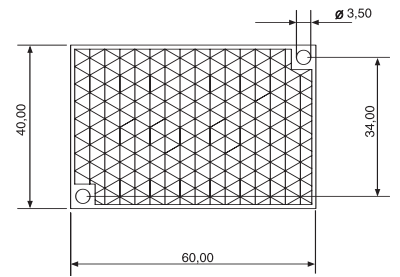
Made in Italy

We manufacture

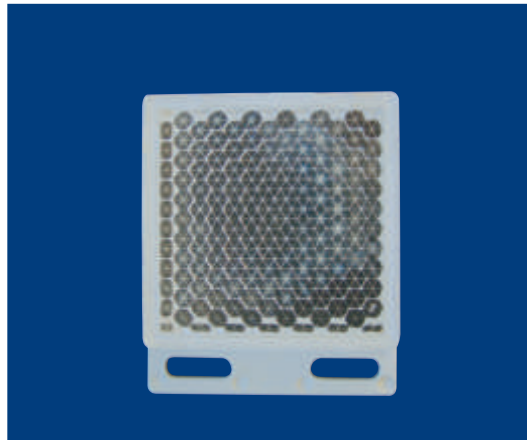
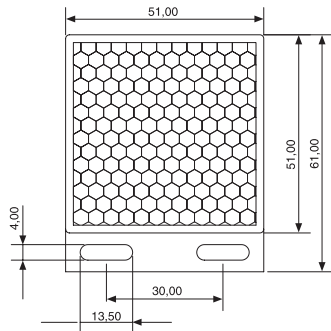
KMV 115



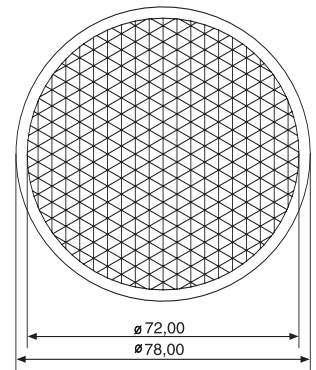
KMV 139



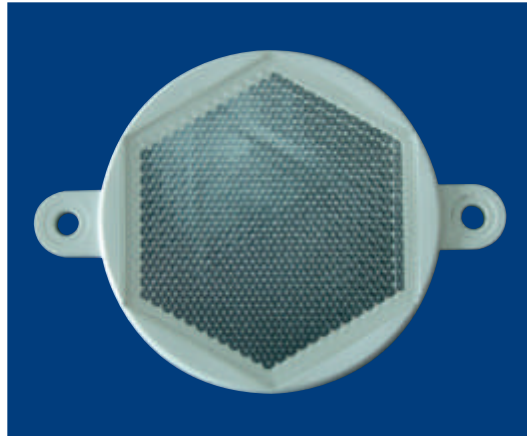
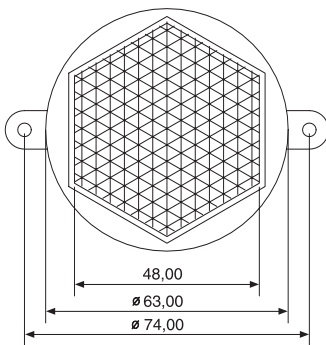
KMV 127



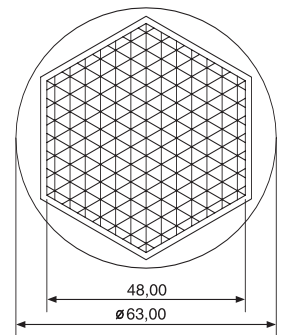
KMV 151



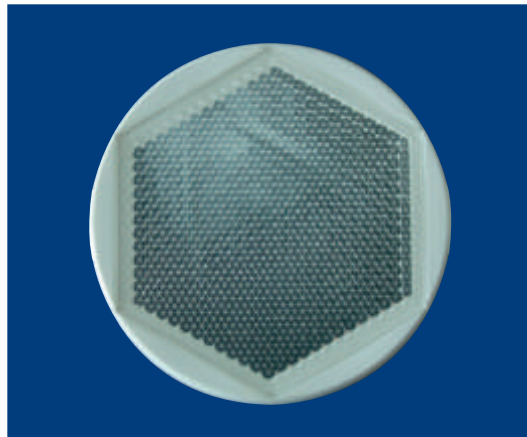
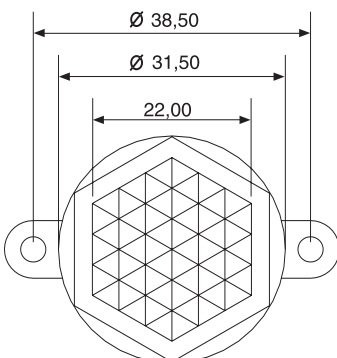
KMV 163



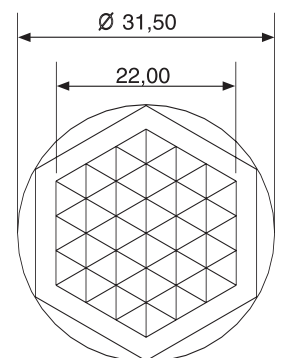
KMV 175



KMV 187

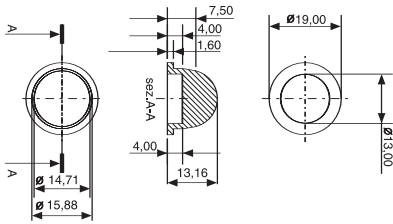


KMV 199



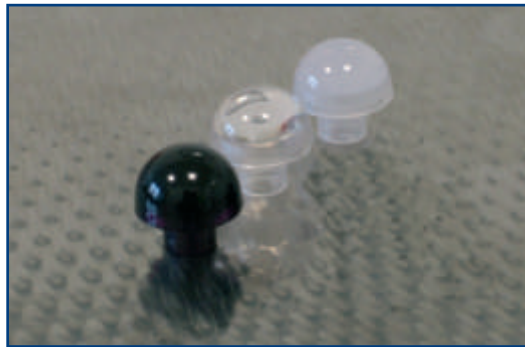
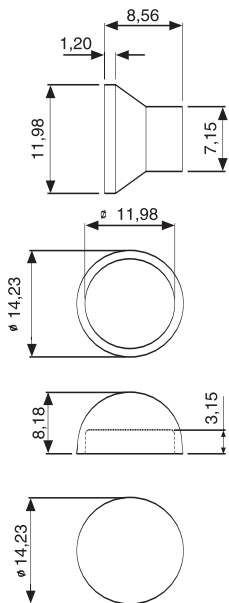
ature solutions

KL 90604

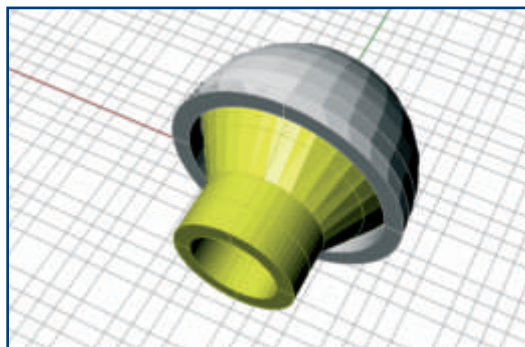


Code	Material
KL90604	PC Optis IR (INFRARED)
KL90604T	PC Optis Water Clear
KL90604/5	PC Optis White 5%
KL90604/10	PC Optis White 10%
KL90604/15	PC Optis White 15%
KL90604/20	PC Optis White 20%

K 77603 series



Code	Material
K77603	PC Optis IR (INFRARED)
K77603T	PC Optis Water clear
K77603/5	PC Optis White 5%
K77603/10	PC Optis White 10%
K77603/15	PC Optis White 15%
K77603/20	PC Optis White 20%



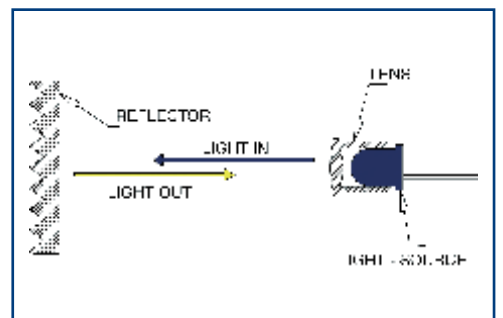
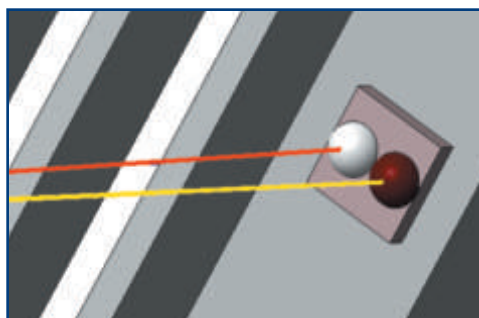
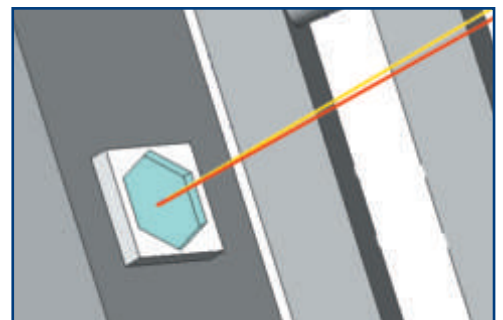
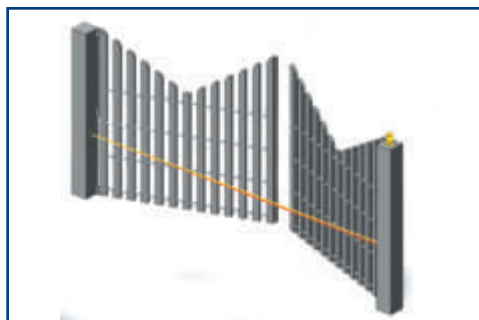
Applications:

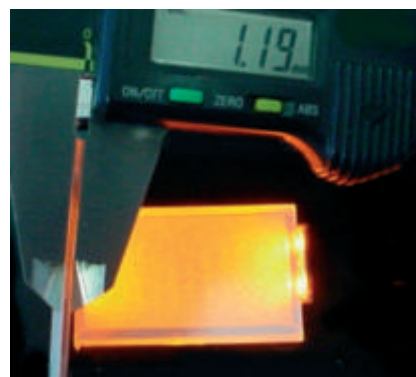
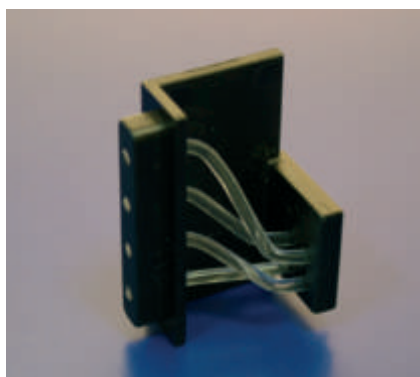
- ▶ Interface to LED
- ▶ Interface to Photodiode, Phototransistor
- ▶ Infrared Lighting for Security systems

Benefits:

In comparison to glass made lenses, plastic lenses offer:

- ▶ Mass replication capability
- ▶ Low Cost
- ▶ Low Weight
- ▶ Ease of mechanical interface and mounting
- ▶ Standard quality warranty
- ▶ Easily produced coloured plastics





KHATOD[®]
OPTOELECTRONIC

20092 Cinisello Balsamo (Milan) Italy • Via Monfalcone 41
Phone +39 02 66013695 • Fax + 39 02 66013500
E-mail customer.service@khatod.com • www.khatod.com