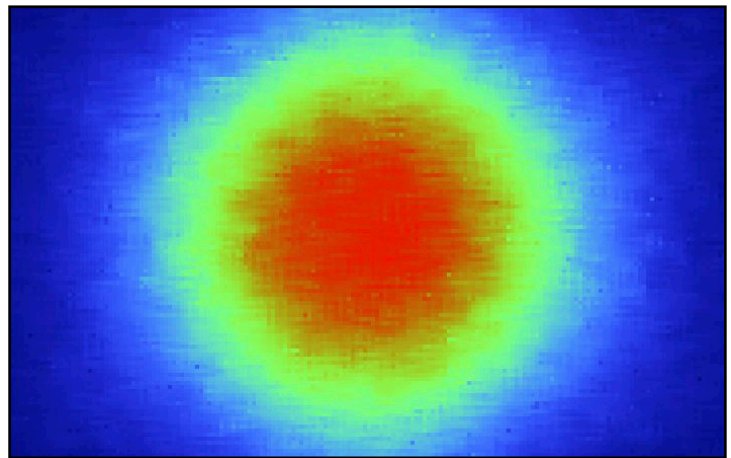
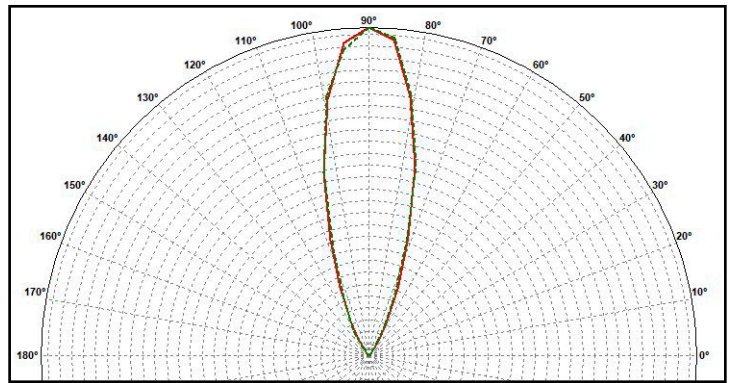
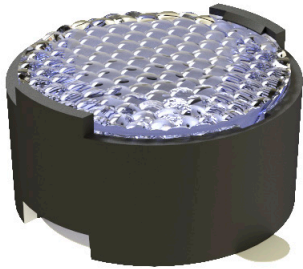


## KESQ1169WIUV - Range UV-A : 315-400nm



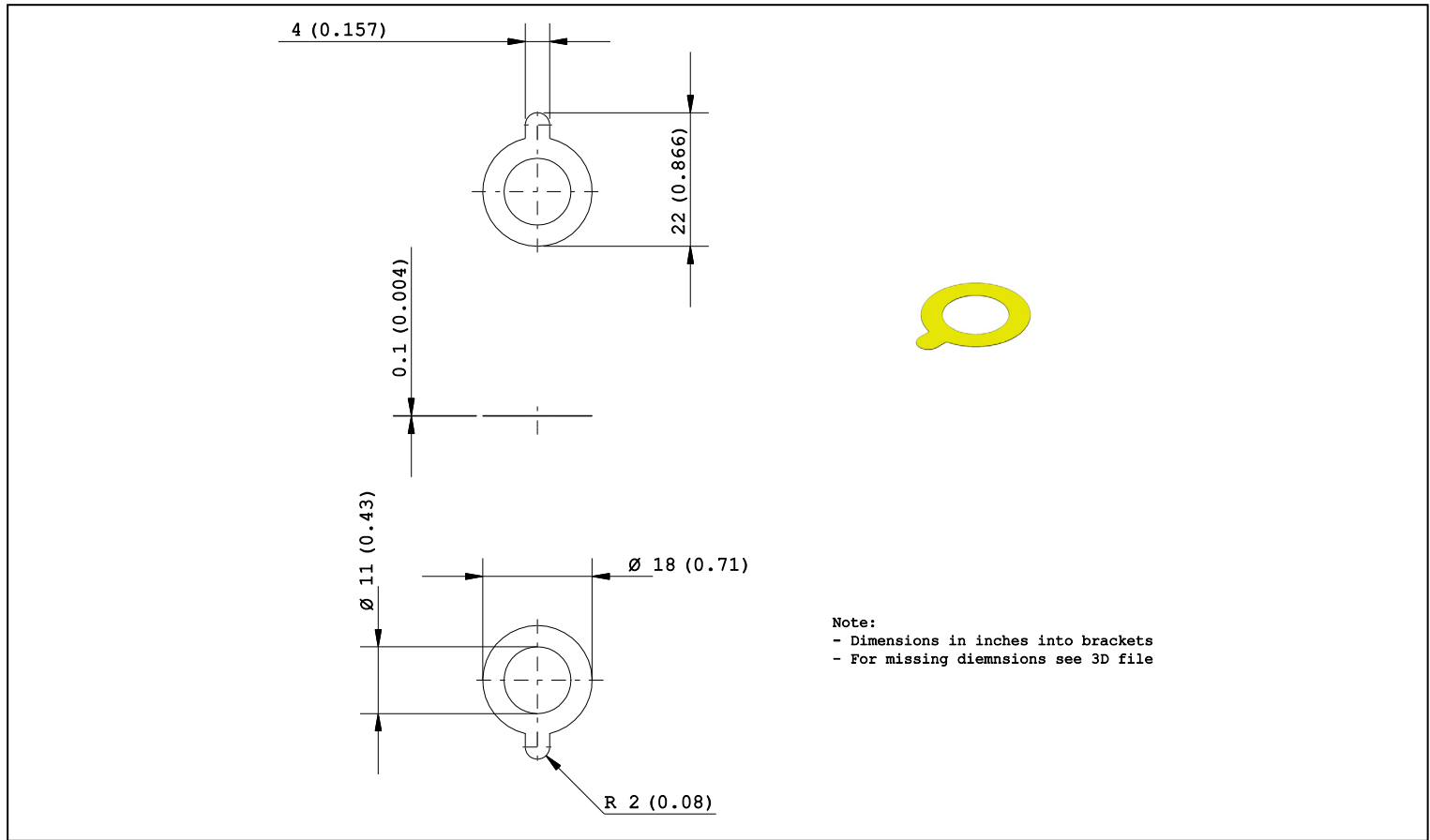
Product images are for illustrative purposes only

- Material = PMMA Clear for UV range
- Full angle C0-C180 at 50% from maximum: ~ 80°x145°
- Full angle C0-C180 at 10% from maximum: ~ 110°x145°
- The light spots here represented refer to tests carried out with 3.5X3.5mm LEDs, and ~990mW@LED

**Note:**  
- Dimensions in inches into brackets  
- For missing dimensions see 3D files

** Project and Design owned by Khatod OPTOELECTRONIC s. r. l. ** The technical solutions adopted in this design are Khatod intellectual property, they cannot be reproduced and transmitted to third parties without our prior written permission. Unauthorized disclosure of confidential proprietary information will be prosecuted by law.		DRAWN BY: SB/IM		PROJECT: KESQ1169xxUW	
DESCRIPTION: Lens and Holder assembled		CHECKED: SB		DATE: 27/04/2018	
CODE: KESQ 1169 WI UV		CONTROLLED: GV		MATERIAL: PMMA / Pc	
Khatod Via Alessandrina, 28 Cusano Milanino 20136 Milano ITALIA WWW.KHATOD.COM		All Dimensions in mm General Tolerances 9/-0.13		SCALE: 1 : 1	
SHEET: 1 of 1		SHEET: 1 of 1		SHEET: 1 of 1	

## Fixing Adhesive Tape Technical Drawing



### 3M High Strength Double Coated Tape with Adhesive 300LSE

9474LE • 9495LE

Technical Data November, 2008

**Product Description** 3M™ Double Coated Tapes with 3M™ Adhesive 300LSE provides high bond strength to most surfaces, including many low surface energy plastics such as polypropylene and powder coated paints. The acrylic adhesive also provides excellent adhesion to surfaces contaminated lightly with oil typically used with machine parts.

Construction	Product Number	Total Tape Thickness (w/o liner)	Faceside <sup>1</sup> Adhesive Type/ Thickness	Carrier Type/ Thickness	Backside <sup>2</sup> Adhesive Type/ Thickness	Liner Color, Type, Print	Liner Caliper <sup>3</sup>
	3M™ Double Coated Tape 9474LE	0.0067" (0.17mm)	0.0028" (0.071mm)	Clear Polyester (0.013mm)	0.0034" (0.086mm)	Faceside Liner/ Tan, 58# Polycoated Kraft, no print	0.0042" (0.11mm)
	3M™ Double Coated Tape 9495LE	0.0067" (0.17mm)	0.0028" (0.071mm)	Clear Polyester (0.013mm)	0.0034" (0.086mm)	Tan, 58#, Polycoated Kraft, *3M 300LSE*	0.0042" (0.11mm)

**Note 1:** Faceside (FS) adhesive is on the interior of the roll, exposed when unrolled.  
**Note 2:** Backside (BS) adhesive is on the exterior of the roll, exposed when liner is removed.  
**Note 3:** The caliper listed is based on a calculation from manufacturing controlled adhesive coat weights using a density of 1.012 g/cc.

### 3M™ High Strength Double Coated Tape with Adhesive 300LSE

9474LE • 9495LE

Product Number	3M™ Double Coated Tapes 9474LE, 9495LE
Adhesion to stainless steel ASTM D3330 - 180 degree 2 mil polyester as backing	Oz/in (N/100 mm) Faceside / Backside - 72 hour RT 100 (113) / 105 (119)
Adhesion to stainless steel ASTM D3330 - 90 degree 2 mil al foil	Oz/in (N/100 mm) Faceside/Backside - 15 minute RT 70 (79) / 80 (90) - 72 hour RT 85 (96) / 100 (113) - 72 hour 158°F (70°C) 106 (119) / 130 (147)
Adhesion to other surfaces ASTM D3330 - 90 degree, 2 mil al foil, 72 hour RT	Oz/in (N/100 mm) Faceside / Backside ABS 100 (124) / 90 (102) Polypropylene 90 (102) / 80 (90) Polycarbonate 150 (169) / 140 (158) Glass 90 (102) / 100 (113)
Shear Strength - ASTM D3654 Modified - (.5 inch <sup>2</sup> sample size)	1000 grams at 72°F (22°C) >10,000 minutes 500 grams at 158°F (70°C) >10,000 minutes
Relative High Temperature Operating Ranges:	Long Term (days, weeks) 200°F (93°C) Short Term (minutes, hours) 300°F (149°C)
Relative Solvent Resistance:	Very Good

