

Via Monfalcone 41
20092 Cinisello Balsamo (Milano) – Italy
Tel. +39 0266013695 – Fax +39 0266013530

CODE NUMBER: KEPL1344

SUBJECT: Blade Lens for Lambertian LEDs - Measurements of Luminous Intensity Output

KEPL1344



- High efficiency
- No vibration problem
- Blade-shaped light beam

Typical applications are

- Architectural lighting
- Lamps
- Most applications where a compact light is required

DESCRIPTION:

The luminous intensity tests are carried out by coupling Khatod KEPL1344 Lenses with 3,00mm dome, 100lm Lambertian LEDs. KEPL1344 Lenses works with any Lambertian LEDs. 100 lumen flux is recommended.

REPORT:

The luminous intensity emitted by the LED is measured from 1 m ± 0,02 distance. Measurements are repeated by coupling the LED with KEPL1344 Lens in the same test conditions.

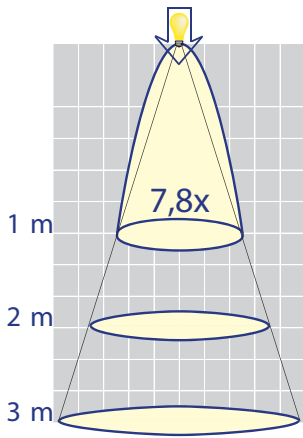
MEASURED DATA:

Column 1 shows the Lenses code number; column 2 shows Luminous Intensity detected by measuring LEDs without Lenses; column 3 shows luminous intensity detected on LEDs coupled with Lenses; column 4 shows the Ratio (X*) between col. 2 and col. 3.

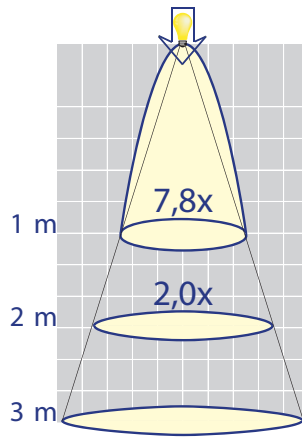
Lens Type	LED Lux @ 1 Mt (ftc @ 1 Mt)	LED + Lens Lux @ 1Mt (ftc @ 1 Mt)	X
KEPL1344 (7°x 55° FWHM)	33,8 (3,14 ftc)	267 (24,84 ftc)	7,8

Test carried out after 5 min. operation of the LED to 350 mA ~ , local power source **GOSSEN KONSTANTER** mod 3226-K118
Measurements carried out with Luxometer mod LUX-1337 of **ISO-TEC** and **MINOLTA** mod LS – 150

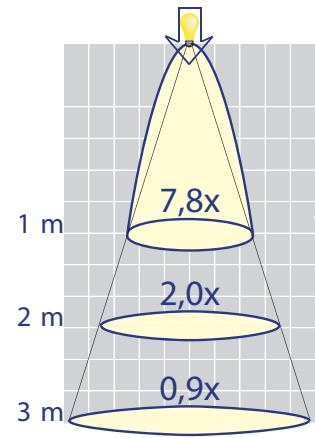
White LED Illuminance chart



KEPL1344 (7°x55° FWHM)
1 Meter



KEPL1344 (7°x55° FWHM)
2 Meters

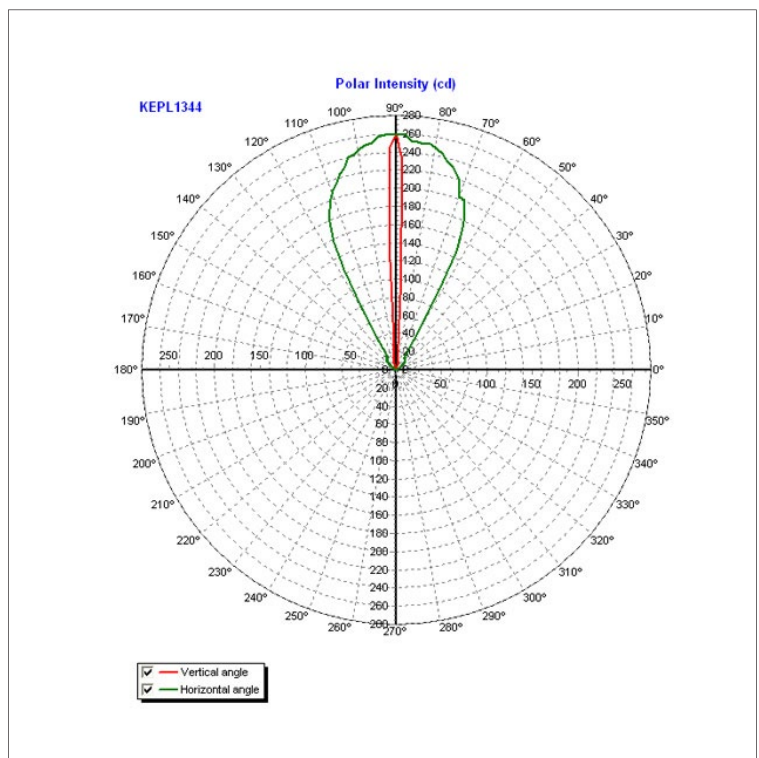
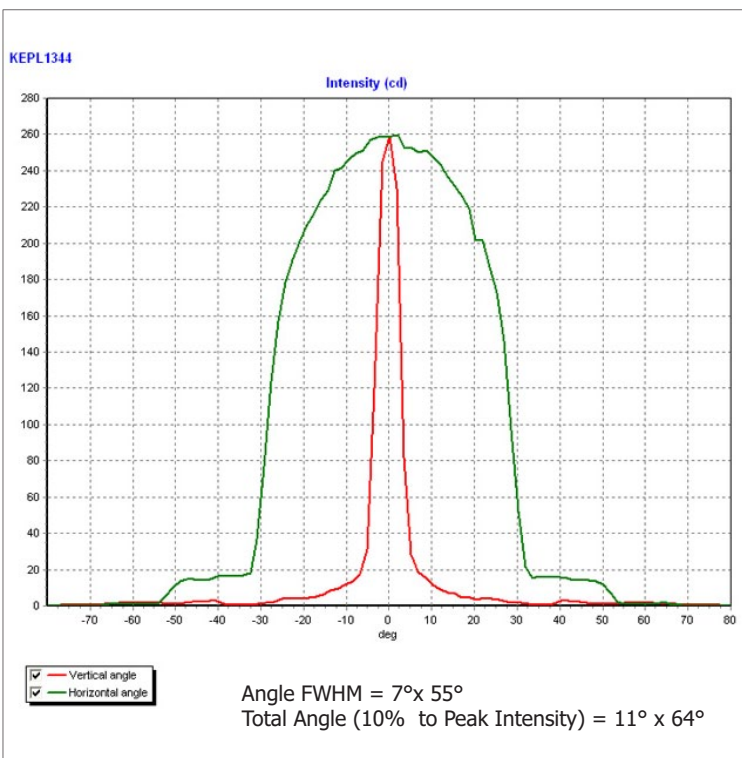


KEPL1344 (7°x55° FWHM)
3 Meters

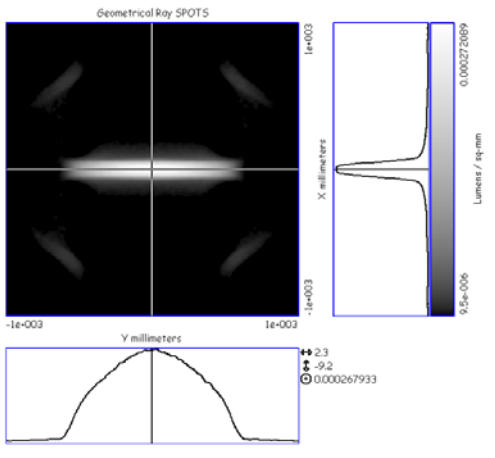
Test conditions:

Room Luminous Intensity :0 Lumen
Room Temperature: 20° C
LED temperature after 10 min. : ~ 49 °C
LED Lumen: 100.

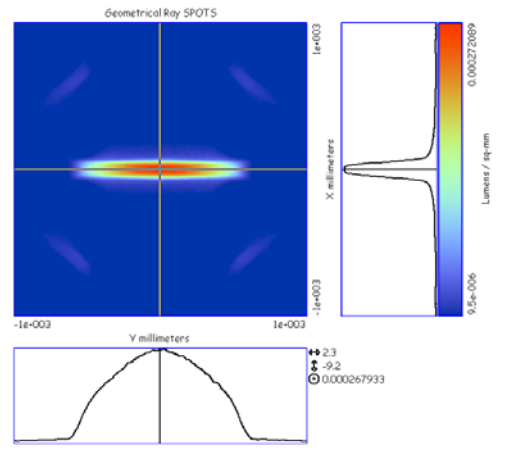
Performance of KEPL1344 Lens



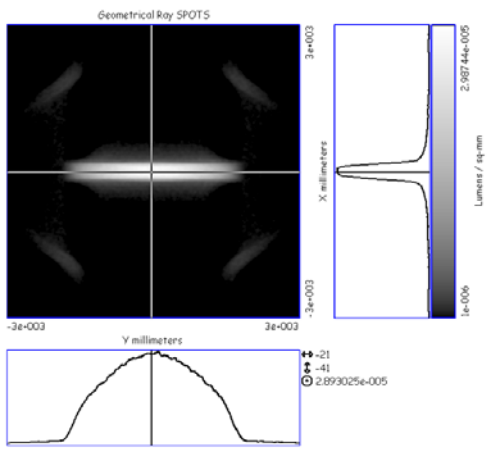
Photos:



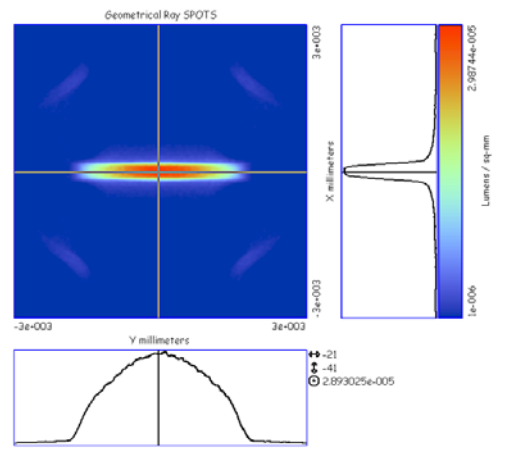
KEPL1344 - Grey Colours
Target at 1 Meter



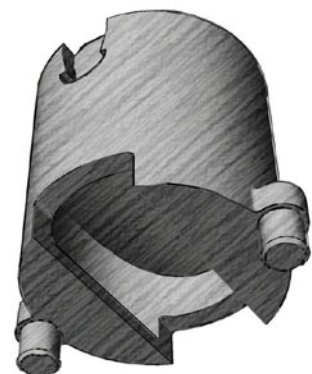
KEPL1344 - False Colours
Target at 1 Meter



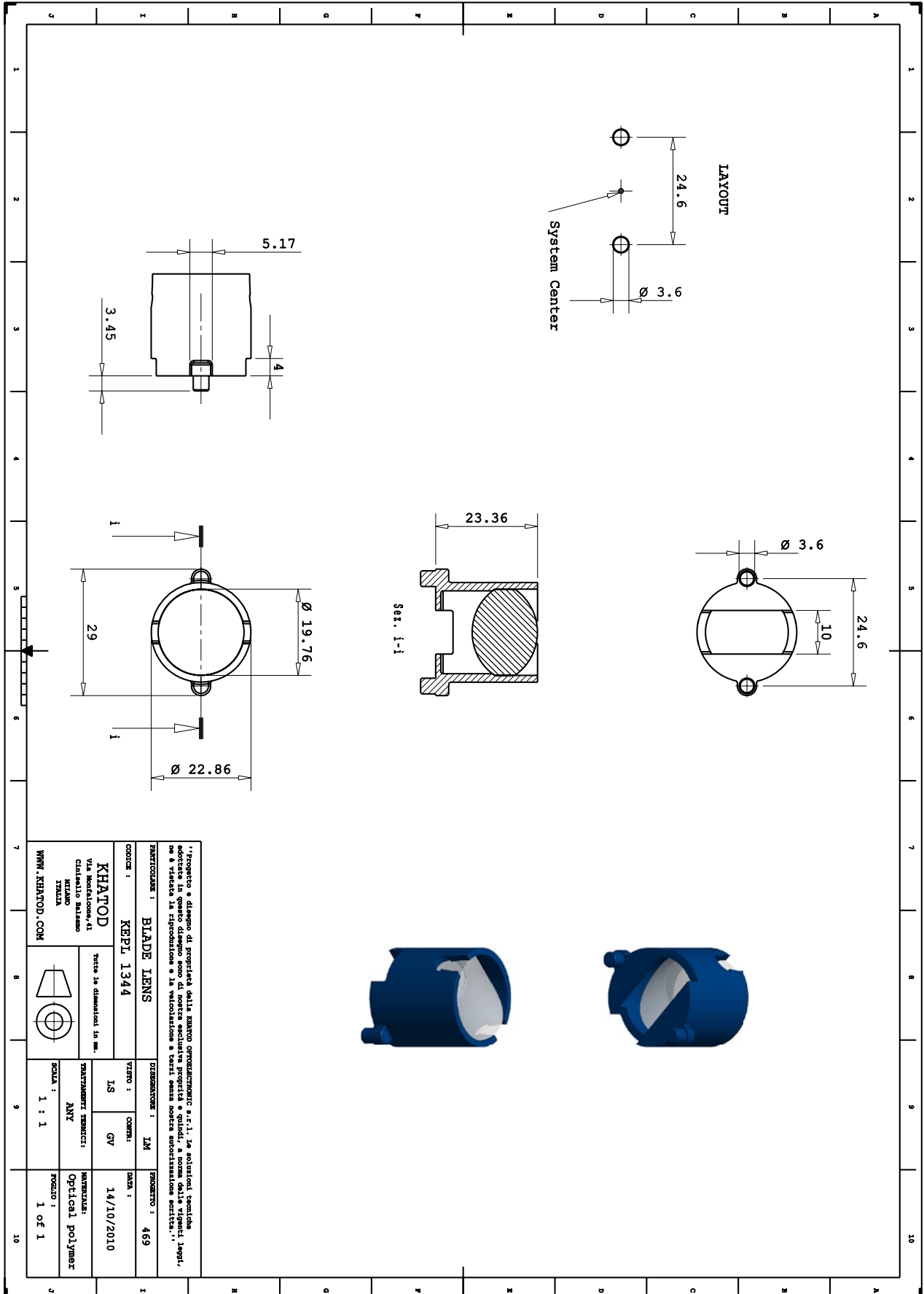
KEPL1344 - Grey Colours
Target at 3 Meters



KEPL1344 - False Colours
Target at 3 Meters



Drawing.



Lens characteristics

Parameter	Symbol	Rating	Unit
Lens Material	PMMA	--	--
Holder Material	PC Black	--	--
Operating Temperature	Topr	-15 to +85	°C
Storage Temperature	Tstg	-15 to +85	°C

LED characteristics

- Recommended for Luxeon Rebel[®], Cree XP[®] LEDs and Seoul Z5[®] series.
- Conceived for LEDs with dome up to 3,00mm.
- Minimum LED luminous Flux recommended : 100 lm.

Notes:

Please note that flow lines and weld lines on the external surfaces of the Lenses are acceptable if the optical performance of the Lenses is within the specification described in the section "OPTICAL CHARACTERISTICS"

- Should you require further information, please contact Khatod for advice.
- Test results as well as measurement results shown in the Test Report, are based on our laboratory's test parameters.
- Published by Khatod optoelectronic srl - All the data contained in this document are the property of Khatod optoelectronic srl and may change without notice.

KHATOD Lenses Use And Maintenance

- DO NOT HANDLE OR INSTALL Lenses WITHOUT WEARING GLOVES. SKIN OILS MAY DAMAGE LENSES OR LIGHT TRANSMISSION
- CLEAN LENSES WITH MILD SOAP AND WATER AND A SOFT CLOTH
- DO NOT USE ANY COMMERCIAL CLEANING SOLVENTS ON LENSES

Khatod SRL, Milan, Italy, manufactures Lenses for LEDs. Any other use of the Lenses shall void our liability and warranty. The Lenses are an inert component to be used in the manufacture of various products. Our warranty and liability are limited only to the manufacture of the Lenses. You may not modify, copy, distribute, reproduce, license or alter the Lenses and related materials of Khatod SRL. Khatod SRL does not warrant against damages or defects arising out of the use or misuse of the products; against defects or damage arising from improper installation, or against defects in the product or in its components. No warranty of any kind, expressed or implied, is made regarding the safety of the products. The entire risk as to the quality or performance of the product is with the buyer. In no event shall Khatod SRL or Khatod USA be liable for any direct, indirect, punitive, incidental, special, consequential damages, or any damages whatsoever arising out of or connected with the use or misuse of the product. Khatod SRL shall not have any obligation with respect to the product or any part thereof, whether based on contract, tort, strict liability or otherwise. Buyer assumes all risks and liability from use of the product. The laws of Milan, Italy govern this product warranty and liability and you hereby consent to the exclusive jurisdiction and venue of courts in Milan, Italy in all disputes arising out of or relating to the use of this product.