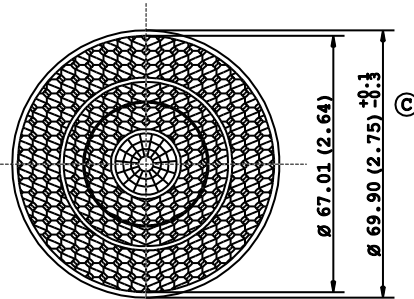
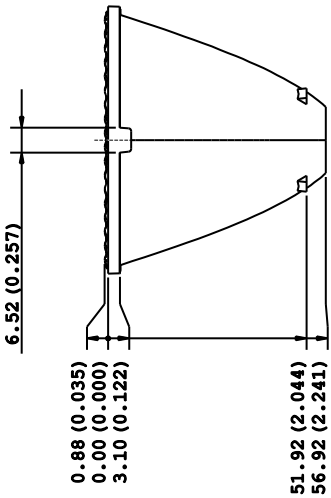
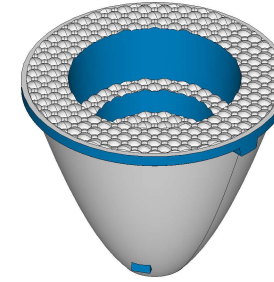
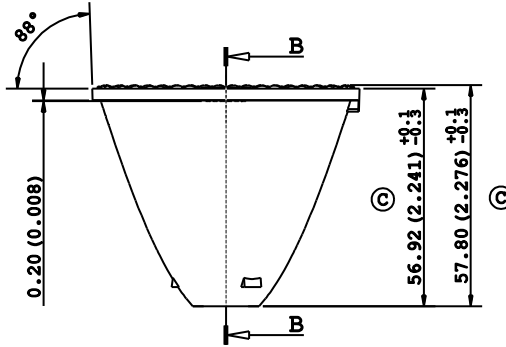
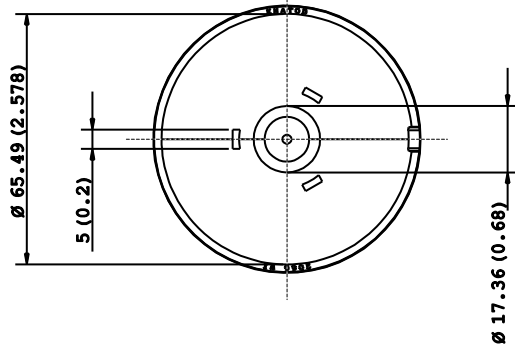
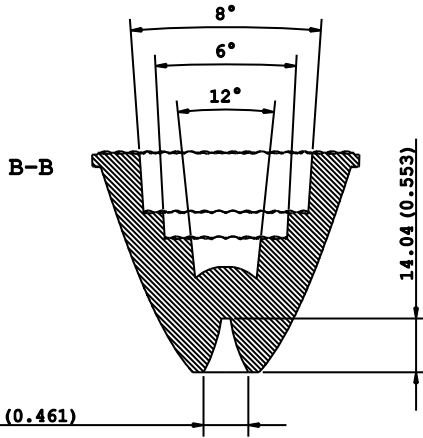


Note:

- Dimensions in inches into brackets
- For missing dimensions see 3D file
- BLUE surfaces embossed 23/25 VDI
- WHITE surfaces mirror polished

© = Quality Control DIMENSIONS (QCD)



" Project and design owned by Khatod OPTOELECTRONIC s. r. l."
 The technical solutions adopted in this design are Khatod intellectual property, they cannot be reproduced and transmitted to third parties without our prior written permission. Unauthorized disclosure of confidential proprietary information will be prosecuted by law.

| | | | | | | |
|--|-----------------------|--|--------------------------------|-------|--------------|---------|
| DESCRIPTION : | LENS | | DESIGNER : | LM/LS | PROJECT : | TIR_SIO |
| CODE : | PLL 2066 WI SR | | CHECKED : | LS | CONTROLLED : | LS |
| KHATOD Via Alessandrina, 25 Cusano Milanino MILANO ITALIA WWW.KHATOD.COM | | | All Dimensions in mm | | DATA : | |
| | | | General Tolerances +/- 0.30 mm | | 19/07/2017 | |
| | | | HEAT TREATMENT: | | MATERIAL: | |
| | | | None | | LSR 7080 J | |
| | | | SCALE : | | SHEET : | |
| | | | 1 : 1 | | 1 of 1 | |