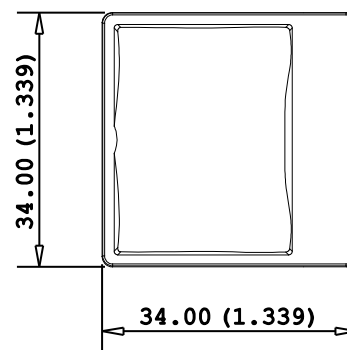
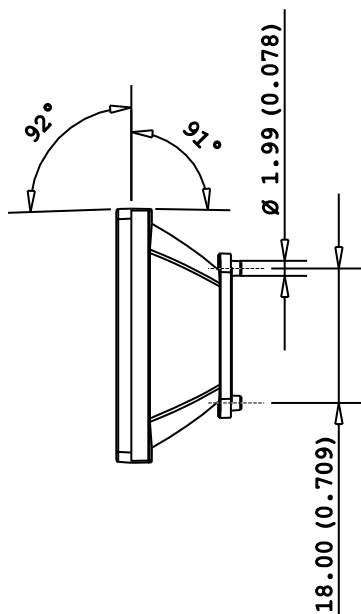
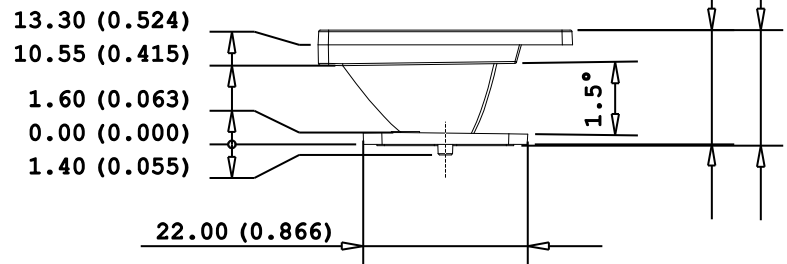
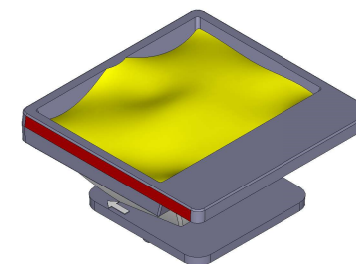
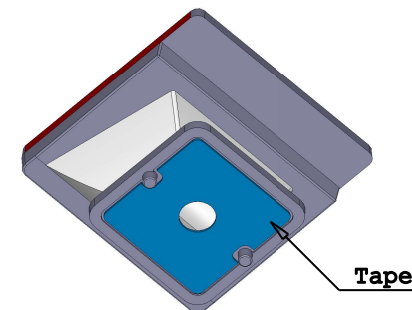
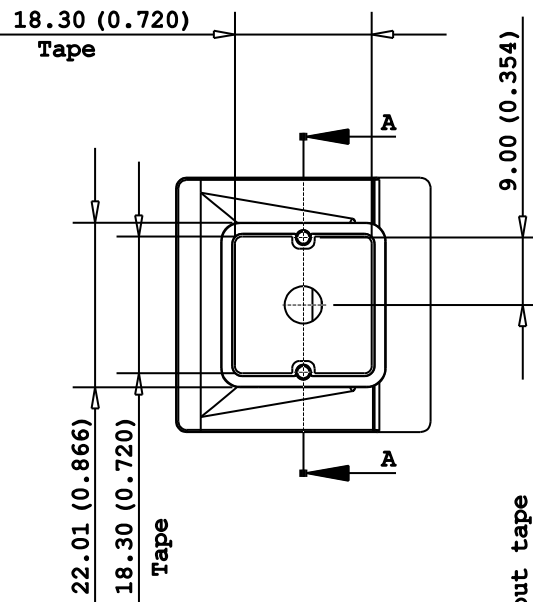


A-A



Note:

- Dimensions in inches into brackets
 - For missing dimensions see 3D file
 - WHITE surfaces mirror polished
 - GREY surfaces embossed 24/27 VDI
 - YELLOW surfaces embossed 15/17 VDI
 - RED surface available area for gate material
- Gate removed by laser plotter.
Sink mark injection will be present

" Project and design owned by Khatod OPTOELECTRONIC s. r. l."			
The technical solutions adopted in this design are Khatod intellectual property, they cannot be reproduced and transmitted to third parties without our prior written permission.			
Unauthorized disclosure of confidential proprietary information will be prosecuted by law.			
DESCRIPTION :	DESIGNER :	PROJECTS :	
Self-adhesive lens	LM/LS	2187	
CODE :	CHECKED :	CONTROLLED :	DATA :
PLL SA 2187 SQ	LS	GV	25/02/2019
KHATOD Via Alessandrina, 25 Cusano Milanino MILANO ITALIA WWW.KHATOD.COM	All Dimensions in mm Tolerance according with: ISO 2768 m		HEAT TREATMENT:
			None
			MATERIAL:
		SCALE :	SHEET :
		1 : 1	1 of 1